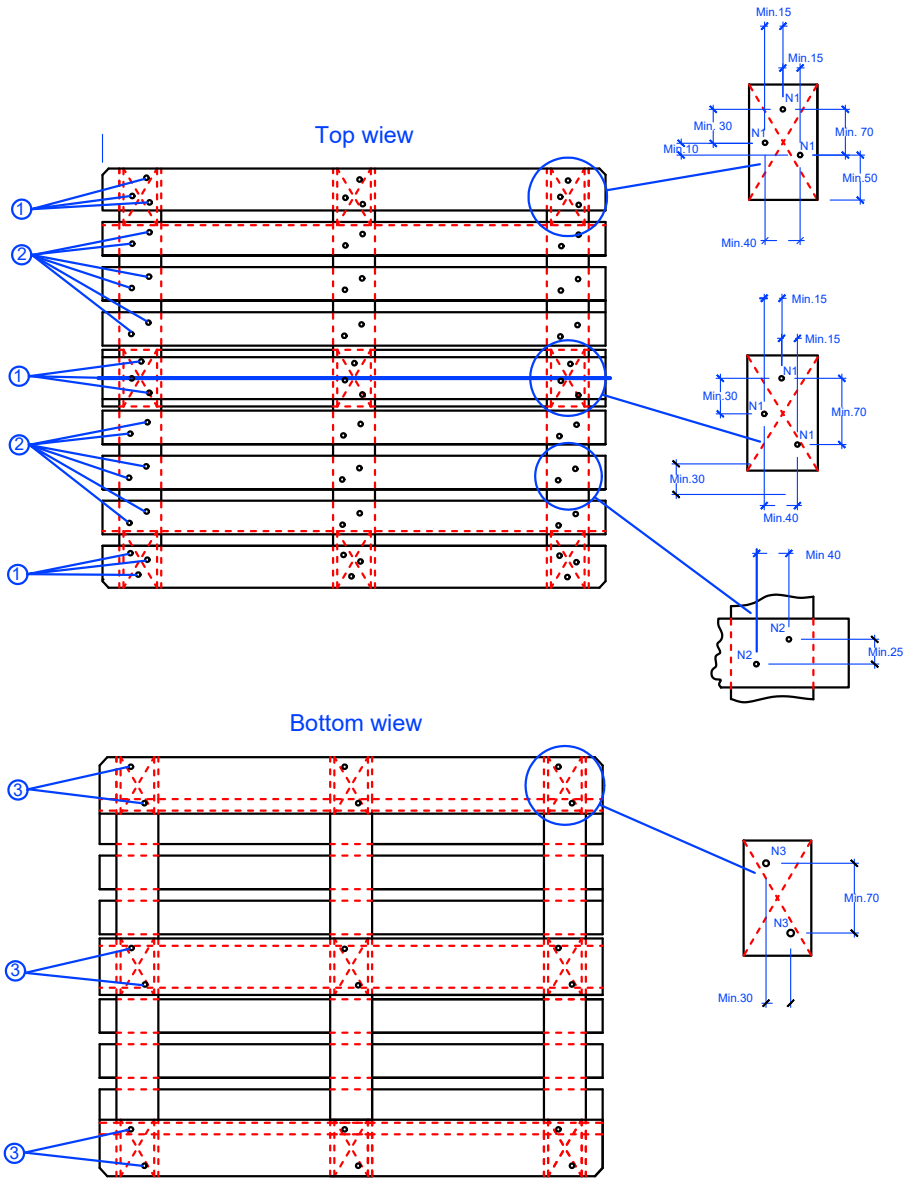


Fastering pattern



3	Bottom board - block	18xN3
2	Intermediate deck board - stringer board	36xN2
1	Lead & central deck board - stringer board-block	27xN1
Position	Bottom board - block	Number
Unit of measurement:mm		
Wooden pallet 1000 x 1200 mm		